

WALL MOUNT FAUCET INSTALLATION GUIDE

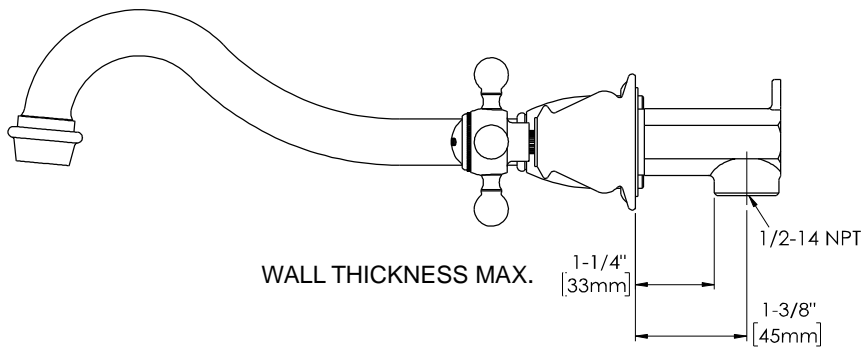
BEFORE YOU BEGIN

- 1) Shut off water supply.
- 2) Carefully inspect waste and supply tubing for signs of damage.
- 3) Replace waste or supply tubing if necessary

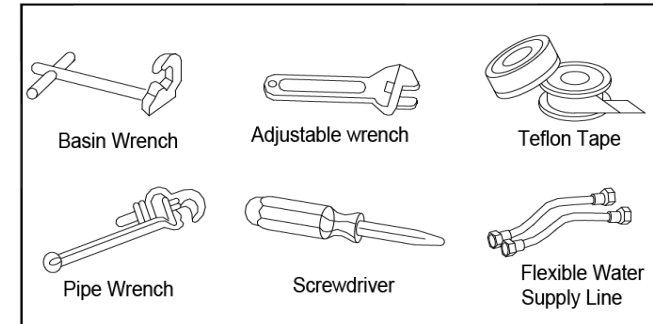
A) VALVE BODY INSTALLATION

- 1) Prepare for installation by installing a wood crossmember between the two studs where the valve will mount.

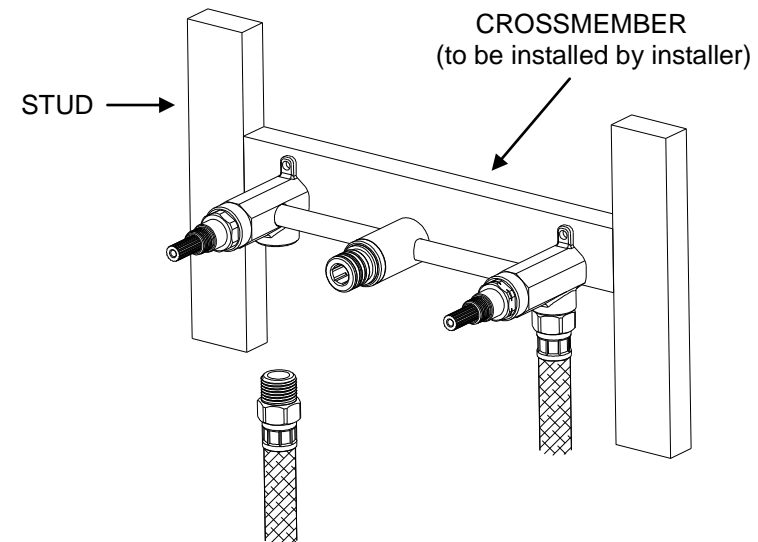
Important : Take into consideration the thickness of your finished wall. If your valve is installed too far behind your finished wall, you may be left with insufficient clearance to attach the spout and handles.



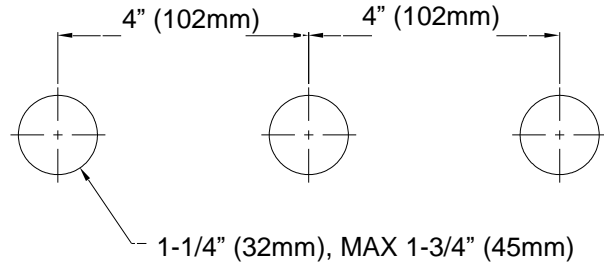
TOOLS AND MATERIALS



- 2) Mount the rough-in valve into its prepared location. Attach the valve body to the crossmember by using galvanized pipe clamps (not provided). Use a level to ensure the valve is mounted straight.
- 3) Attached the main water lines to the valve. Apply thread sealant or Teflon tape to the threaded connection to ensure a watertight seal.

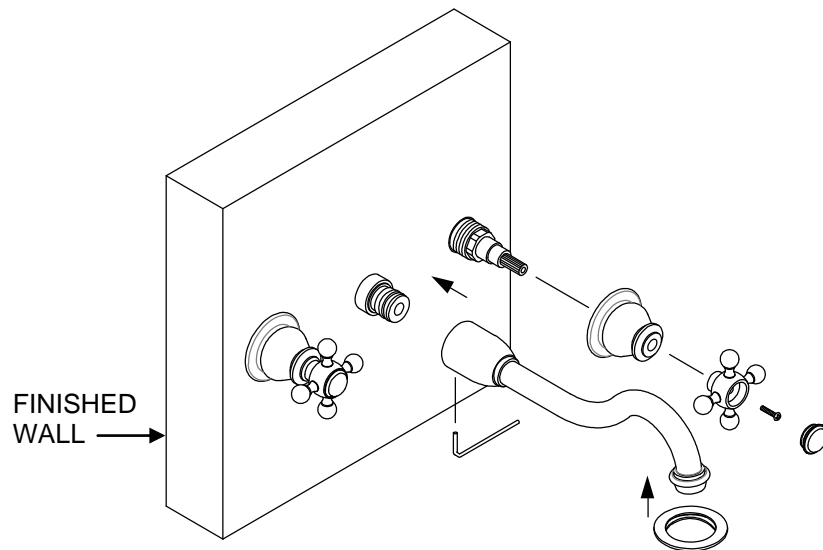


4) Drill holes size as below for valve body on the finished wall.



B) SPOUT AND HANDLES INSTALLATION

- 1) Once your finished wall has been completed, slide the decorative ring onto the base of the spout. Attach the spout to the installed valve body. Once in place, tighten the set screw underneath to secure.
- 2) Thread escutcheons onto the stem until hand-tight. Ensure the rubber washers remain seated the escutcheons.
- 3) Attach the hot and cold handles to the valve stems. Ensure the hot handle is on the left, and the cold is on the right.



C) FINAL CHECK

- 1) Ensure all connections are tightened properly.
- 2) Turn on main water supply.
- 3) Turn on both cold and hot water for 2 minutes..
- 4) Check for leaks.
- 5) Remove the aerator cap and aerator. Check for debris, clean if necessary.
- 6) Reinstall aerator.

D) DRAIN WASTE INSTALLATION

- 1) Disassemble the drain. Only rubber washer to stay with drain body.
- 2) Unscrew the tail piece pipe to seal thread, assemble back to drain body.
- 3) Insert drain body through sink.
- 4) Attach the gasket, Teflon washer and tighten the lock nut.

